

AllData

AllData is free, but only accessible from MPL computers. You're able to print out documents or send them to yourself or others through the website's service.



How Do They Do It??

With over 25 years' experience, ALLDATA is the leading provider of original manufacturers' repair information – complete, unchanged and unabridged.

- Locate information quickly using search feature
- View the latest Technical Service Bulletins
- Print wiring diagrams on 8 1/2" x 11" paper

Mentor Public Library's Databases

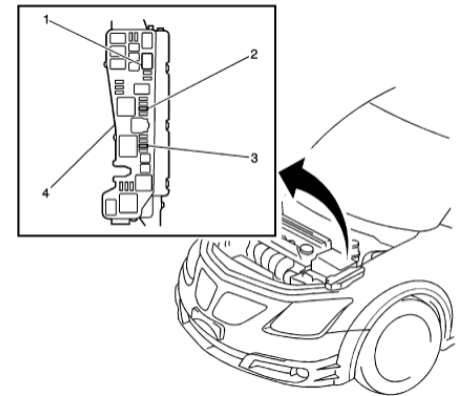
- AtoZdatabases - Search Jobs, Businesses or Mailing Lists
- About Books
- Academic Search Premier
- AllData - (Auto Repair) - (In-library use only)
- America's Top-Rated Cities – Online
- American & English Literature
- Ancestry Library Edition (in-library use only)
- Biographies Plus Illustrated
- Congress.gov
- Contemporary Authors
- Consumer Health Complete
- Consumer Reports
- EBSCO – All Databases
- ExploreOhio
- Facts on File: Science Online
- Gale Virtual Reference Library
- LearningExpress Library - (Click on the banner logo to enter actual site)
- Legal Form Library
- Literary Reference Center
- MasterFILE Premier
- Merriam-Webster Online Dictionary & Thesaurus
- Netwellness
- NoveList Plus
- NoveList K-8 Plus
- Ohio Founding Fathers – Info on the State of Ohio
- Ohio Public Libraries
- OneFile
- Points of View
- Sanborn Fire Insurance Maps
- Science Reference Center
- Transparent Language
- What Tree Is It?
- What's That Snake?
- What's the Point? - Identify Flint Artifacts and Ohio Historic People
- Workforce Skills for 21st Century Success!
- World Book Online

QUESTIONS? Just Ask!

Phone: 440-255-8811 ext. 215
E-mail: askalibrarian@mentorpl.org



AllData Repair



For use only through library computers at Mentor Public Library and its associated branches.

Lending, Learning, Leading

MENTOR PUBLIC LIBRARY

8215 Mentor Ave
Mentor, OH 44060
Tel: 440-255-8811

How to start using AllData Repair

How To Get There:

Databases

All Databases

- AtoZdatabases - Search Jobs, Businesses or Mailing Lists
- About Books
- Academic Search Premier
- AllData - (Auto Repair) - (Library use only)
- America's Top-Rated Cities - Online
- American & English Literature
- Ancestry Library Edition (Library use only)
- Biographies Plus Illustrated
- Congress.gov
- Contemporary Authors
- Consumer Health Complete
- Consumer Reports
- EBSCO - All Databases
- ExploreOhio

Go to mentorpl.org under **'Research and Tools'** find **'Databases'** in the drop down menu, click on it, and choose **AllData!**

Begin your search!

- [Select Vehicle](#)
- [New TSBs](#)
- [Shop Operations](#)
- [Technician's Reference](#)

Choose "Select Vehicle" to get started.

Then, choose the year, make, and model, and engine of the car you're looking for.

YEAR	MAKE	MODEL	ENGINE
2015	Kia Truck	G5	L4-1.8L
2014	Land Rover	G6	
2013	Lexus	G8	
2012	Lexus Truck	Grand Prix	
2011	Lincoln	Solstice	
2010	Lincoln Truck	Vibe	
2009	Mazda	Wave (CANADA)	
2008	Mazda Truck		
2007	Mercedes Benz		
2006	Mercedes Benz Truck		
2005	Mercury		
2004	Mercury Truck		
2003	Mini		
2002	Mitsubishi		
2001	Mitsubishi Truck		
2000	Nissan-Datsun		
1999	Nissan-Datsun Truck		
1998	Pontiac		

The Results:

AllData will break down a car's maintenance components as well as listing any technical service bulletins, parts & labor, and any other specifications for that vehicle.

2008 Pontiac Vibe L4-1.8L

Vehicle » Maintenance

MAINTENANCE COMPONENTS

- ▶ [Air Bag\(s\) Arming and Disarming](#)
- ▶ [Alignment](#)
- ▶ [Brake Bleeding](#)
- ▶ [Drive Belt](#)
- ▶ [Filters](#)
- ▶ [Fluids](#)
- ▶ [Fuses and Circuit Breakers](#)
- ▶ [Hoses](#)
- ▶ [Service Reminder Indicators](#)
- ▶ [Timing Component Alignment Marks](#)
- ▶ [Tune-up and Engine Performance Checks](#)
- ▶ [Vehicle Lifting](#)
- ▶ [Wheels and Tires](#)

Click on specific part for a list of components.

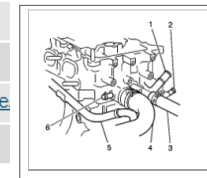
2008 Pontiac Vibe L4-1.8L

Vehicle » Maintenance » Hoses

HOSES COMPONENTS

- [Heater Hose](#)
- [Hose/Line HVAC](#)
- [Power Steering Line](#)
- [Radiator Hose](#)

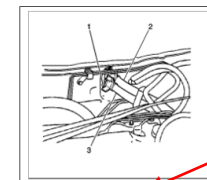
1. Drain the engine cooling system. Refer to Cooling System Draining and Filling (See: Engr
2. Remove the clamps and the inlet and outlet hoses (2, 3) from the heater core.



Zoom Sized for Print

3. Remove the clamps and the inlet and outlet hoses (1, 3) from the engine cylinder head.

Installation Procedure



Zoom Sized for Print

You can find step by step repair instructions with diagrams.

Documents can be enlarged for printing.

Choose "Maintenance" for a list of that car's repair information.

2008 Pontiac Vibe L4-1.8L

» Vehicle

POPULAR INFORMATION

- [Maintenance](#)
- [Diagnostic Trouble Codes](#)
- [Technical Service Bulletins](#)
- [Specifications](#)
- [Diagrams](#)
- [Locations](#)